

Product information sheet ALTA

Item no. 512319

Benefits



- High spout for easily filling large pans or vases
- Revolving spout at the front part - eases the filling of bottles
- Complete spout Revolving by 360°
- Stainless steel finish: Coordinates With stainless steel sinks
- Quarter turn handles offer an effortless supply of water with maximum style

Colours



Available colours:
chrome

galvanic chrome

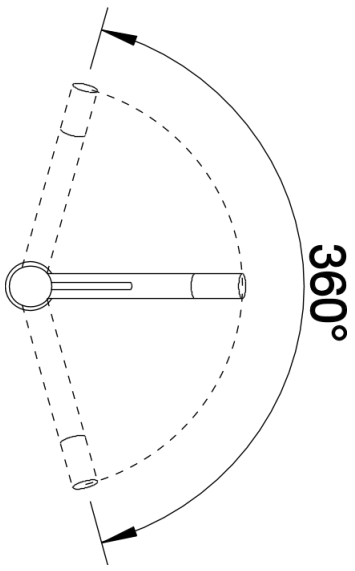
Planning information

- Please Note:
- High pressure supply only. Requires minimum of 1.0 bar pressure (approx. 10 metre head preferred 1.0-1.5 bar)
- Height: 240
- Reach: 216.5
- Base: 55
- Tap hole: $\varnothing 35$
- Heavy duty metal tap stabilising bracket, fit as required. Item No. BL450775

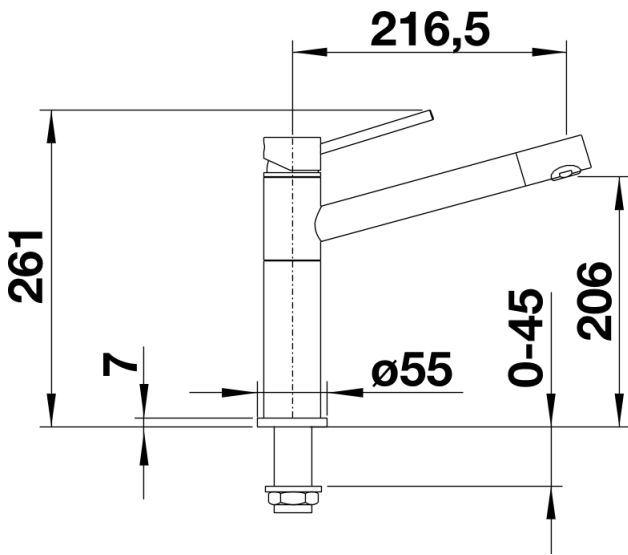
Scope of supply

- Single-lever mixer tap
- Spout can be swivelled by 360°
- $\varnothing 35$ mm tap hole required
- With ceramic disk cartridge
- Flexible connector pipes, 450 mm long and 3/8" nut for particularly easy installation
- Patented jet regulator for markedly reduced scaling
- Stabilisation plate to increase the stability of the tap when fitted in stainless steel sinks
- LGA approved
- DVGW approved

Details



Swivel range



Side view